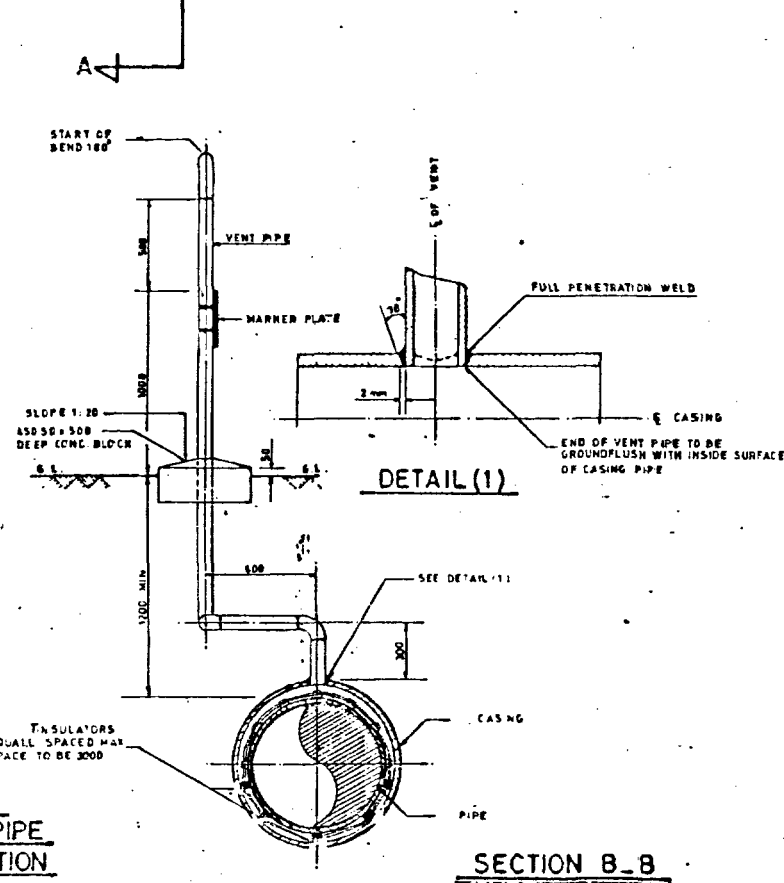
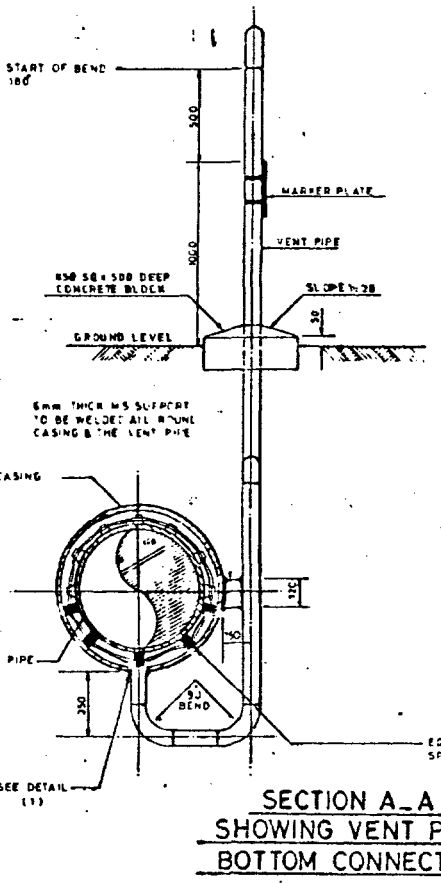
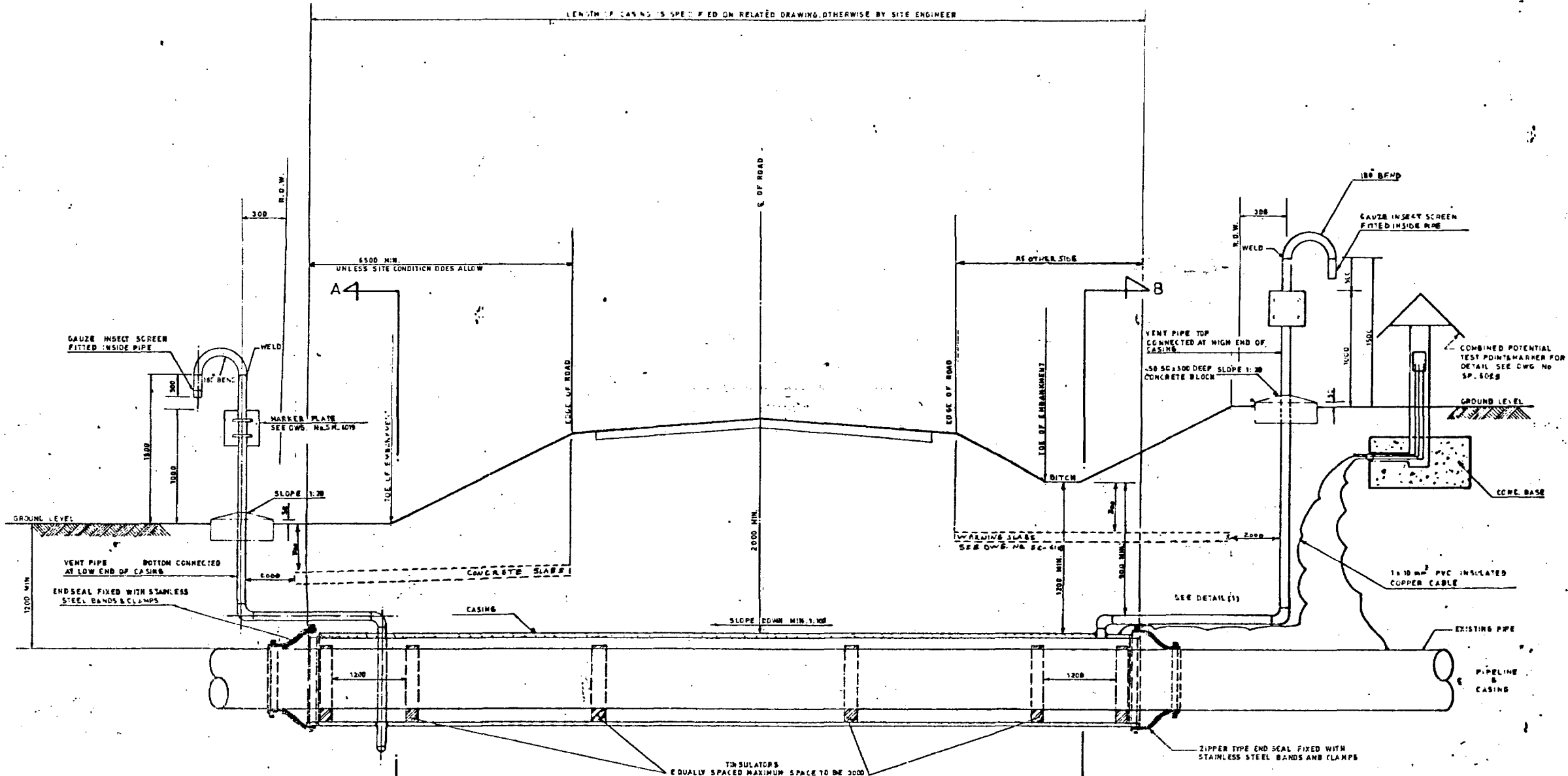


GENERAL NOTES

- CASING SHALL BE FREE OF BURRS AT WELDS VENT PIPES SHALL BE INSTALLED BEFORE INSERTION OF CARRIER PIPES.
- WITHIN A CASED CROSSING THE PIPELINE IS CATHODICALLY PROTECTED. CARE SHOULD BE TAKEN NOT TO DAMAGE COAT & WRAP WHEN PUTTING ON EXISTING PIPE AND THAT INSIDE OF THE CASING IS DRY BEFORE END SEALS ARE APPLIED.
- DOUBLE COAT AND DOUBLE WRAP ON CARRIER PIPE OVER LENGTH OF CASING AND EXTENDING 3 METERS EITHER SIDE OF END OF CASING. CASING PIPE TO BE SINGLE COAT DOUBLE WRAP VENT PIPE TO BE SIMILARY TREATED TO A HEIGHT OF 300mm ABOVE GROUND LEVEL.
- ALL DIMENSIONS ARE IN MILLIMETRES UNLESS OTHERWISE STATED.
- THE CASING PIPE SHALL BE CLEANED (SA 2 1/2) AND PRIMED ACCORDING TO N.I.G.C. SPECIFICATIONS.
- THE CASING SHALL BE SUPPORTED FOR ITS ENTIRE LENGTH AND SHALL BE LAID SO AS TO SLOPE SLIGHTLY.
- EXPOSED PIPES SHALL BE PAINTED IN ACCORDANCE WITH N.I.G.C. SPECIFICATION (YELLOW).
- THE ASSEMBLY SHALL BE COMPLETED AS SHOWN ON THIS DRAWING.
- BACKFIL OVER CASING SHALL BE PLACED IN 6 LAYERS AND PNEUMATICALLY TAMPED TO REACH THE DENSITY OF UN-DISTURBED SURROUNDINGS AND SURFACE MATERIAL SHALL BE RESTORED TO ORIGINAL CONDITION.

REFERENCE DRAWINGS

DWG No.	TITLE
SM-6018	STANDARD DETAILS OF MARKER PLATE AT CASED CROSSINGS
SP-6028	TRANSMISSION LINE CASED CROSSING POTENTIAL TEST POINT & PIPE MARKER
SC-603	STD. WARNING CONCRETE SLABS
SM-6031	STD. SPLIT CASED PIPE CROSSING DETAILS



CARRIER PIPE	CASING PIPE		VENT	INSULATOR SPACE
OD (IN)	OD (IN)	TH (IN) MIN.	OD (IN)	METER
4 1/2	8 3/8	0.188	3 1/2	3.0
6 5/8	10 3/4	0.219	3 1/2	3.0
8 5/8	12 3/4	0.250	3 1/2	3.0
10 3/4	18	0.312	3 1/2	3.0
12 3/4	18	0.312	3 1/2	3.0
14	18	0.312	3 1/2	3.0
16	20	0.312	3 1/2	3.0
18	24	0.312	4 1/2	3.0
20	24	0.312	4 1/2	3.0
22	25	0.312	4 1/2	3.0
24	30	0.375	4 1/2	3.0
30	35	0.438	4 1/2	3.0
36	42	0.500	4 1/2	2.8
40	48	0.625	4 1/2	2.4
42	48	0.625	4 1/2	2.0

REV	DESCRIPTION	CHECK	DATE	APP	DATE
F					
E					
D					
C					
B					
A					

NATIONAL IRANIAN GAS COMPANY
ENGINEERING AND TECHNICAL SERVICES AFFAIRS.

STANDARD SPLIT CASED ROAD CROSSING

DRAWN	ENG. CHECK	BUD. REF.	SCALE	DRAWING No.	REV.
M. KATAYOUSHI	M. GOLDOCHI		M 1:5	SM-6029	
DESIGNED BY	DES. CHECK	APPROVED	DATE		
M. KATAYOUSHI	M. GOLDOCHI	M. KATAYOUSHI			