

**ASME B16.11-2011**  
(Revision of ASME B16.11-2009)

# Forged Fittings, Socket-Welding and Threaded

**AN AMERICAN NATIONAL STANDARD**



The American Society of  
Mechanical Engineers

Copyright © 2012 by the American Society of Mechanical Engineers.

No reproduction may be made of this material without written consent of ASME.



INTENTIONALLY LEFT BLANK



**ASME B16.11-2011**  
**(Revision of ASME B16.11-2009)**

# Forged Fittings, Socket-Welding and Threaded

---

**AN AMERICAN NATIONAL STANDARD**



**The American Society of  
Mechanical Engineers**

**Three Park Avenue • New York, NY • 10016 USA**

Copyright © 2012 by the American Society of Mechanical Engineers.  
No reproduction may be made of this material without written consent of ASME.



Date of Issuance: January 30, 2012

The next edition of this Standard is scheduled for publication in 2016.

ASME issues written replies to inquiries concerning interpretations of technical aspects of this Standard. Periodically certain actions of the ASME B16 Committee may be published as Cases. Cases and interpretations are published on the ASME Web site under the Committee Pages at <http://cstools.asme.org/> as they are issued, and will be published within the next edition of the standard.

Errata to codes and standards may be posted on the ASME Web site under the Committee Pages to provide corrections to incorrectly published items, or to correct typographical or grammatical errors in codes and standards. Such errata shall be used on the date posted.

The Committee Pages can be found at <http://cstools.asme.org/>. There is an option available to automatically receive an e-mail notification when errata are posted to a particular code or standard. This option can be found on the appropriate Committee Page after selecting “Errata” in the “Publication Information” section.

ASME is the registered trademark of The American Society of Mechanical Engineers.

This code or standard was developed under procedures accredited as meeting the criteria for American National Standards. The Standards Committee that approved the code or standard was balanced to assure that individuals from competent and concerned interests have had an opportunity to participate. The proposed code or standard was made available for public review and comment that provides an opportunity for additional public input from industry, academia, regulatory agencies, and the public-at-large.

ASME does not “approve,” “rate,” or “endorse” any item, construction, proprietary device, or activity.

ASME does not take any position with respect to the validity of any patent rights asserted in connection with any items mentioned in this document, and does not undertake to insure anyone utilizing a standard against liability for infringement of any applicable letters patent, nor assumes any such liability. Users of a code or standard are expressly advised that determination of the validity of any such patent rights, and the risk of infringement of such rights, is entirely their own responsibility.

Participation by federal agency representative(s) or person(s) affiliated with industry is not to be interpreted as government or industry endorsement of this code or standard.

ASME accepts responsibility for only those interpretations of this document issued in accordance with the established ASME procedures and policies, which precludes the issuance of interpretations by individuals.

No part of this document may be reproduced in any form,  
in an electronic retrieval system or otherwise,  
without the prior written permission of the publisher.

The American Society of Mechanical Engineers  
Three Park Avenue, New York, NY 10016-5990

Copyright © 2012 by  
THE AMERICAN SOCIETY OF MECHANICAL ENGINEERS  
All rights reserved  
Printed in U.S.A.



# CONTENTS

Foreword .....	iv
Committee Roster .....	vi
Correspondence With the B16 Committee .....	vii
Summary of Changes .....	viii
<b>1 Scope and General .....</b>	<b>1</b>
<b>2 Pressure Ratings .....</b>	<b>1</b>
<b>3 Size and Type .....</b>	<b>7</b>
<b>4 Marking .....</b>	<b>8</b>
<b>5 Material .....</b>	<b>8</b>
<b>6 Dimensions .....</b>	<b>8</b>
<b>7 Additional Tolerances .....</b>	<b>9</b>
<b>8 Proof Testing .....</b>	<b>9</b>
<b>Figures</b>	
1 Method of Designating Outlets of Reducing Tees and Crosses .....	8
2 Welding Gap and Minimum Flat Dimensions for Socket-Welding Fittings .....	9
<b>Tables</b>	
1 Socket-Welding Fittings .....	2
2 Forged Threaded Fittings .....	3
3 Forged Threaded Fittings — Street Elbows .....	4
4 Threaded Fittings .....	5
5 Plugs and Bushings .....	6
6 Types of Fittings by Class Designation and NPS Size Range .....	7
7 Correlation of Fittings Class With Schedule Number or Wall Designation of Pipe for Calculation of Ratings .....	7
8 Nominal Wall Thickness of Schedule 160 and Double Extra Strong Pipe .....	7
<b>Mandatory Appendices</b>	
I Dimensions of Fittings in U.S. Customary Units .....	11
II References .....	17
<b>Nonmandatory Appendix</b>	
A Quality System Program .....	18



## FOREWORD

The Sectional Committee on the Standardization of Pipe Flanges and Fittings, B16, organized in 1920 under the procedure of the American Standards Association (ASA), appointed a subgroup of Subcommittee 3 (now Subcommittee F) to initiate the standardization of welding fittings in May 1937. The first meeting of this group was held later that month, and at its meeting in December 1938, in New York, it was agreed to undertake the standardization of dimensions of socket-welding fittings and to refer this project to a new drafting subgroup. One of the most important dimensions of this type of fitting requiring standardization was considered to be the dimension from the centerline of the fitting to the bottom of the socket, since from the standpoint of the designing engineer, this dimension governs the location of adjacent pipe with reference to the entire piping layout. Another important item for consideration was the welding fillet dimensions.

The drafting subgroup held meetings in Chicago, Detroit, and New York in March 1939 and May and October 1940, respectively, and at the last named meeting, the completed draft of the proposed standard was discussed, and further revisions were suggested. When applied to the September 1940 draft, these changes produced the May 1941 draft, which was prepared for distribution to industry for criticism and comment.

This distribution resulted in a number of helpful comments. The members of the subgroup agreed by mail that many of the changes suggested should be incorporated in the revised draft (December 1941). Progress on the approval of the standard was delayed by the World War II, after which, a few more changes were added to make the proposal acceptable to all concerned. The revised draft (April 1946) was then submitted to the members of the sectional committee for letter ballot vote.

Following the approval of the sectional committee, the proposed standard was next approved by the sponsor bodies and presented to the ASA with recommendation for approval as an American Standard. This designation was given on December 9, 1946.

In 1960, it was agreed that the standard needed a complete revision and simultaneously that it should be expanded to cover threaded fittings and plugs, then covered by MSS SP-49 and SP-50. A Task Force worked diligently for four years before arriving at a draft that was acceptable. They also found that ratings were outdated and eliminated the 4,000-lb classes of threaded fittings, assigned pressure-temperature ratings for a number of materials, and converted the socket-weld fitting ratings to 3,000 and 6,000 lb. Following approval by the Sectional Committee and Sponsors, ASA approval was granted on January 28, 1966.

Following designation changes of ASA to ANSI and Sectional Committee to Standards Committee, Subcommittee 6 began consideration of changes in 1969. Early in 1972, changes in the pressure class designations, materials, and clarification of wording were agreed upon and submitted for approval. This was granted on June 20, 1973.

The work of development of the 1980 edition of B16.11 began in 1975 when the committee began consideration of comments and proposals for change that were received. The development procedure was arduous in that a number of ballots were taken that elicited many additional comments and counterproposals. The major changes included an expanded scope for better definition, requirements for conformance marking, a Nonmandatory Annex with provisions for proof or burst testing, and the inclusion of metric equivalents. Following approval by the Standards Committee and Co-Secretariat, final approval by ANSI was granted on October 6, 1980.

In 1982, American National Standards Committee B16 was reorganized as an ASME Committee operating under procedures accredited by ANSI. The 1991 edition of the standard, retitled "Forged Fittings, Socket-Welding and Threaded," incorporated forging material listed in Table 1 of ASME B16.34-1988, including Group 3 material that was not previously covered in B16.11. The 1991 edition established U.S. Customary units as the standard. Other clarifying and editorial revisions were made to improve the text. Following approval by the Standards Committee and ASME, final approval by ANSI was granted on March 4, 1991.



In 1996, metric dimensions were added as an independent but equal standard to the inch units. Following approval by the Standards Committee and ASME, this revision to the 1991 edition of this Standard was approved as an American National Standard by ANSI on December 16, 1996, with the new designation ASME B16.11-1996.

In 2000, the Standards Committee, ASME, and ANSI approved an addenda to this Standard to remove partial compliance fittings and nonstandard material requirements. Due to an ASME policy change concerning the publishing of addenda, the intended addenda changes were incorporated into the 2001 edition.

Threaded end street elbow requirements were incorporated into the 2004 edition. Following approval by the Standards Committee and ASME, the revision to the 2001 edition was approved as an American National Standard by ANSI on September 30, 2005 with the designation ASME B16.11-2005.

A number of technical revisions were made along with format and reference revisions, such as material marking requirements. Following approval by the Standards Committee and ASME, the revision to the 2005 edition was approved as an American National Standard by ANSI on July 9, 2009 with the designation ASME B16.11-2009.

This revision was approved by the American National Standards Institute on December 2, 2011.

Suggestions for improvement of this Standard are welcome. They should be addressed to the Secretary, B16 Standards Committee, The American Society of Mechanical Engineers, Three Park Avenue, New York, NY 10016.



# ASME B16 COMMITTEE

## Standardization of Valves, Flanges, Fittings, and Gaskets

(The following is the roster of the Committee at the time of approval of this Standard.)

### STANDARDS COMMITTEE OFFICERS

**W. B. Bedesem**, *Chair*

**G. A. Jolly**, *Vice Chair*

**D. R. Sharp**, *Secretary*

### STANDARDS COMMITTEE PERSONNEL

**A. Appleton**, Alloy Stainless Products Co., Inc.

**R. W. Barnes**, Anric Enterprises, Inc.

**W. B. Bedesem**, Consultant

**R. M. Bojarczuk**, ExxonMobil Research and Engineering Co.

**D. F. Buccicone**, Elkhart Products Corp.

**A. M. Cheta**, Royal Dutch Shell

**M. A. Clark**, Nibco, Inc.

**G. A. Cuccio**, Capitol Manufacturing Co.

**C. E. Davila**, Crane Energy

**D. R. Frikken**, Becht Engineering Co.

**R. P. Griffiths**, U.S. Coast Guard

**G. A. Jolly**, Vogt Valves/Flowserve Corp.

**M. Katcher**, Haynes International

**W. N. McLean**, B&L Engineering

**T. A. McMahon**, Emerson Process Management

**M. L. Nayyar**, Bechtel Power Corp.

**W. H. Patrick**, The Dow Chemical Co.

**R. A. Schmidt**, Canadoil

**D. R. Sharp**, The American Society of Mechanical Engineers

**H. R. Sonderegger**, Fluoroseal, Inc.

**W. M. Stephan**, Flexitallic, L.P.

**F. R. Volgstadt**, Volgstadt and Associates, Inc.

**D. A. Williams**, Southern Company Generation

### SUBCOMMITTEE F — STEEL THREADED AND WELDING FITTINGS

**G. A. Cuccio**, *Chair*, Capitol Manufacturing Co.

**G. A. Jolly**, *Vice Chair*, Vogt Valves/Flowserve Corp.

**D. R. Sharp**, *Secretary*, The American Society of Mechanical Engineers

**A. Appleton**, Alloy Stainless Products Co., Inc.

**W. J. Birkholz**, Flowline Division, Markovitz Enterprises, Inc.

**K. W. Doughty**, Shaw Alloy Piping Products, Inc.

**J. P. Ellenberger**, Consultant

**D. R. Frikken**, Becht Engineering Co.

**C. J. Lafferty**, U.S. Drop Forge Co.

**B. G. Fabian**, *Alternate*, Pennsylvania Machine Works

**D. H. Monroe**, Consultant

**R. A. Schmidt**, Canadoil

**J. P. Tucker**, Flowserve Corp.

**G. T. Walden**, Frischkorn, Inc.

**M. M. Zaidi**, Jacobs Engineering Group, Inc.





## CORRESPONDENCE WITH THE B16 COMMITTEE

**General.** ASME Standards are developed and maintained with the intent to represent the consensus of concerned interests. As such, users of this Standard may interact with the Committee by requesting interpretations, proposing revisions, and attending Committee meetings. Correspondence should be addressed to:

Secretary, B16 Standards Committee  
The American Society of Mechanical Engineers  
Three Park Avenue  
New York, NY 10016-5990

As an alternative, inquiries may be submitted via email to: [SecretaryB16@asme.org](mailto:SecretaryB16@asme.org).

**Proposing Revisions.** Revisions are made periodically to the Standard to incorporate changes that appear necessary or desirable, as demonstrated by the experience gained from the application of the Standard. Approved revisions will be published periodically.

The Committee welcomes proposals for revisions to this Standard. Such proposals should be as specific as possible, citing the paragraph number(s), the proposed wording, and a detailed description of the reasons for the proposal, including any pertinent documentation.

**Proposing a Case.** Cases may be issued for the purpose of providing alternative rules when justified, to permit early implementation of an approved revision when the need is urgent, or to provide rules not covered by existing provisions. Cases are effective immediately upon ASME approval and shall be posted on the ASME Committee Web page.

Requests for Cases shall provide a Statement of Need and Background Information. The request should identify the Standard, the paragraph, figure or table number(s), and be written as a Question and Reply in the same format as existing Cases. Requests for Cases should also indicate the applicable edition(s) of the Standard to which the proposed Case applies.

**Interpretations.** Upon request, the B16 Committee will render an interpretation of any requirement of the Standard. Interpretations can only be rendered in response to a written request sent to the Secretary of the B16 Standards Committee.

The request for interpretation should be clear and unambiguous. It is further recommended that the inquirer submit his/her request in the following format:

Subject:	Cite the applicable paragraph number(s) and the topic of the inquiry.
Edition:	Cite the applicable edition of the Standard for which the interpretation is being requested.
Question:	Phrase the question as a request for an interpretation of a specific requirement suitable for general understanding and use, not as a request for an approval of a proprietary design or situation. The inquirer may also include any plans or drawings that are necessary to explain the question; however, they should not contain proprietary names or information.

Requests that are not in this format will be rewritten in this format by the Committee prior to being answered, which may inadvertently change the intent of the original request.

ASME procedures provide for reconsideration of any interpretation when or if additional information that might affect an interpretation is available. Further, persons aggrieved by an interpretation may appeal to the cognizant ASME Committee or Subcommittee. ASME does not "approve," "certify," "rate," or "endorse" any item, construction, proprietary device, or activity.

**Attending Committee Meetings.** The B16 Standards Committee regularly holds meetings, which are open to the public. Persons wishing to attend any meeting should contact the Secretary of the B16 Standards Committee.



# ASME B16.11-2011

## SUMMARY OF CHANGES

Following approval by the ASME B16 Committee and ASME, and after public review, ASME B16.11-2011 was approved by the American National Standards Institute on December 2, 2011.

ASME B16.11-2011 includes the following changes identified by a margin note, **(11)**.

<i>Page</i>	<i>Location</i>	<i>Change</i>
6	Table 5	Fourth and seventh columns revised, Note (2) added
9	6.3.3	Revised
	6.5	Revised
16	Table I-5	Note (2) added



# FORGED FITTINGS, SOCKET-WELDING AND THREADED

## 1 SCOPE AND GENERAL

### 1.1 Scope

This Standard covers ratings, dimensions, tolerances, marking, and material requirements for forged fittings, both socket-welding and threaded, as illustrated in Tables 1 through 5 and Tables I-1 through I-5, inclusive.

**1.1.1 Fitting Types/Configuration.** Types of fittings covered by this Standard are shown in Table 6, by class and size range. Fittings shown in Tables 1 through 5 and Tables I-1 through I-5 may also be made with combinations of socket-welding and threaded ends.

**1.1.2 Special Fittings.** Fittings with special dimensions, threads, or counterbores may be made by agreement between the manufacturer and purchaser. When such fittings meet all other stipulations of this Standard, they shall be considered in compliance therewith, provided they are appropriately marked (see section 4).

**1.1.3 Welding.** Installation welding requirements are not within the scope of this Standard. Installation welding shall be in accordance with the applicable piping Code or regulation covering the piping system into which the fittings are installed.

### 1.2 General

**1.2.1 Referenced Standards.** Standards and specifications adopted by reference in this Standard are shown in Mandatory Appendix II. It is not considered practical to identify the specific edition of each standard and specification in the individual references. Instead, the specific edition reference is identified in Mandatory Appendix II. A fitting made in conformance and conforming to this Standard, in all other respects, will be considered to be in conformance to the Standard, even though the edition reference may be changed in a subsequent revision of the Standard.

**1.2.2 Codes and Regulations.** A fitting used under the jurisdiction of the ASME Boiler and Pressure Vessel Code, the ASME Code for Pressure Piping, or a governmental regulation is subject to any limitation of that code or regulation. This includes any maximum temperature limitation, rule governing the use of a material at low temperature, or provisions for operation at a pressure exceeding the ratings in this Standard.

**1.2.3 Service Conditions.** Criteria for selection of fitting types and materials suitable for particular fluid service are not within the scope of this Standard.

**1.2.4 Quality Systems.** Nonmandatory requirements relating to the product manufacturer's quality system program are described in Nonmandatory Appendix A.

**1.2.5 Relevant Units.** This Standard states values in both SI (Metric) and U.S. Customary units. These systems of units are to be regarded separately as standard. Within the text, the U.S. Customary units are shown in parentheses or in separate tables that appear in Mandatory Appendix I. The values stated in each system are not exact equivalents; therefore, it is required that each system be used independently of the other. Combining values from the two systems constitutes nonconformance with the Standard.

Tables 1 through 5 show fittings dimensional requirements in millimeters. Tables I-1 through I-5 show the dimensional requirements for inch dimensioned fittings.

## 2 PRESSURE RATINGS

### 2.1 General

Fittings under this Standard shall be designated as Class 2000, 3000, and 6000 for threaded end fittings and Class 3000, 6000, and 9000 for socket-weld end fittings.

**2.1.1 Basis of Rating.** The schedule of pipe corresponding to each Class designation of fitting for rating purposes is shown in Table 7. Design temperature and other service conditions shall be limited as provided by the applicable piping code or regulation for the material of construction of the fitting. Within these limits, the minimum wall thickness for pipe to be used with a Table 7 Class designated fitting shall be computed based on appropriate size straight seamless pipe of equivalent material as the fitting (as shown by comparison of composition and mechanical properties in the respective material specifications). The minimum pipe wall thickness calculation shall include pressure design and all applicable additional allowances (e.g., erosion, corrosion, and thread depth for threaded pipe). The minimum wall thickness for selected pipe, considering manufacturing minus wall thickness tolerance (typically 12.5%), shall not be less than the minimum wall calculation. The fitting is suitable for the application if the wall thickness of the selected pipe equals or is less than the

Table 1 Socket-Welding Fittings

Nominal Pipe Size [Note (1)]	Bore Diameter of Fittings, D [Note (J)]		Socket Wall Thickness, C [Note (2)]		Body Wall, G		Center-to-Bottom of Socket, A		Laying Lengths		End Wall Thickness, $K_{min}$																	
	Class Designation		Class Designation		Class Designation		Class Designation		Couplings, Couplings,		Class Designation																	
	3000	6000	3000	6000	3000	6000	3000	6000	9000	3000	6000	9000																
1/8	7.6	4.8	3.18	3.18	3.96	3.43	...	2.41	3.15	...	8.0	8.0	...	6.5	16.0	1.0	1.5	1.0	4.8	6.4	...							
1/4	10.8	6.1	3.2	...	3.78	3.30	4.60	4.01	...	3.02	3.68	...	9.5	11.0	13.5	...	8.0	8.0	...	6.5	16.0	1.0	1.5	1.0	4.8	6.4	...	
3/8	14.2	8.5	5.6	...	4.01	3.50	5.03	4.37	...	3.20	4.01	...	9.5	13.5	15.5	...	8.0	11.0	...	6.5	17.5	1.5	3.0	1.5	4.8	6.4	...	
1/2	17.6	11.8	8.4	...	4.67	4.09	5.97	5.18	9.35	8.18	3.73	4.78	7.47	9.5	15.5	19.0	25.5	11.0	12.5	15.5	9.5	22.5	1.5	3.0	1.5	6.4	7.9	11.2
3/4	21.8	15.0	11.0	5.6	4.90	4.27	6.96	6.04	9.78	8.56	3.91	5.56	7.82	12.5	19.0	22.5	28.5	13.0	14.0	19.0	9.5	24.0	1.5	3.0	1.5	6.4	7.9	12.7
1	27.2	20.2	14.8	10.3	5.69	4.98	7.92	6.93	11.38	9.96	4.55	6.35	9.09	12.5	22.5	27.0	32.0	14.0	17.5	20.5	12.5	28.5	2.0	4.0	2.0	9.6	11.2	14.2
1 1/4	33.9	25.9	19.9	14.4	6.07	5.28	7.92	6.93	12.14	10.62	4.85	6.35	9.70	12.5	27.0	32.0	35.0	17.5	20.5	22.5	12.5	30.0	2.0	4.0	2.0	9.6	11.2	14.2
1 1/2	42.7	34.3	28.7	22.0	6.35	5.54	8.92	7.80	12.70	11.12	5.08	7.14	10.15	12.5	32.0	38.0	38.0	20.5	25.5	25.5	12.5	32.0	2.0	4.0	2.0	11.2	12.7	15.7
2	49.2	41.6	34.7	28.7	6.35	5.54	8.92	7.80	12.70	11.12	5.08	7.14	10.15	12.5	32.0	38.0	38.0	20.5	25.5	25.5	12.5	32.0	2.0	4.0	2.0	11.2	12.7	15.7
2 1/2	61.7	53.3	43.6	38.9	6.93	6.04	10.92	9.50	13.84	12.12	5.54	8.74	11.07	16.0	38.0	41.0	54.0	25.5	28.5	28.5	19.0	41.0	2.0	4.0	2.0	12.7	15.7	19.0
3	73.9	61.2	...	...	8.76	7.67	...	...	...	...	7.01	...	...	16.0	41.0	...	...	28.5	...	...	19.0	43.0	2.5	5.0	2.5	15.7	19.0	...
4	89.8	76.4	...	...	9.52	8.30	...	...	...	...	7.62	...	...	16.0	57.0	...	...	32.0	...	...	19.0	44.5	2.5	5.0	2.5	19.0	22.4	...
...	115.7	103.8	...	...	10.69	9.35	...	...	...	...	8.56	...	...	19.0	66.5	...	...	41.0	...	...	19.0	48.0	2.5	5.0	2.5	22.4	28.4	...

GENERAL NOTE: Dimensions are in millimeters.

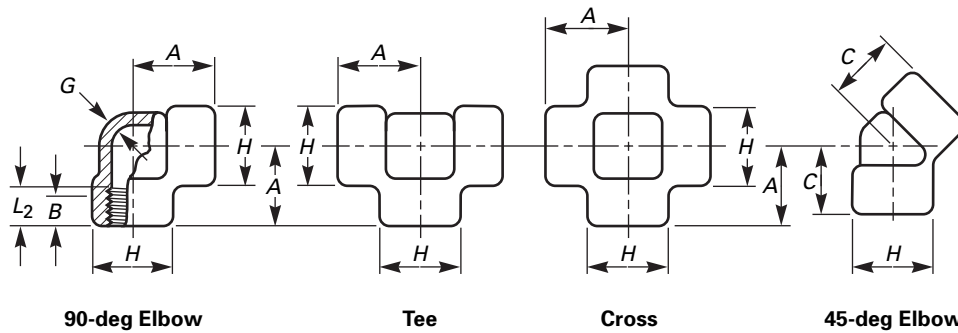
NOTES:

(1) Upper and lower values for each size are the respective maximum and minimum dimensions.

(2) Average of socket wall thickness around periphery shall not be less than listed values. The minimum values are permitted in localized areas.



**Table 2 Forged Threaded Fittings**



Nominal Pipe Size	Center-to-End Elbows, Tees, and Crosses, A			Center-to-End 45-deg Elbow, C			Outside Diameter of Band, H			Minimum Wall Thickness, G			Minimum Length of Thread [Note (1)]	
	2000	3000	6000	2000	3000	6000	2000	3000	6000	2000	3000	6000	B	L <sub>2</sub>
	1/8	21	21	25	17	17	19	22	22	25	3.18	3.18	6.35	6.4
1/4	21	25	28	17	19	22	22	25	33	3.18	3.30	6.60	8.1	10.2
3/8	25	28	33	19	22	25	25	33	38	3.18	3.51	6.98	9.1	10.4
1/2	28	33	38	22	25	28	33	38	46	3.18	4.09	8.15	10.9	13.6
3/4	33	38	44	25	28	33	38	46	56	3.18	4.32	8.53	12.7	13.9
1	38	44	51	28	33	35	46	56	62	3.68	4.98	9.93	14.7	17.3
1 1/4	44	51	60	33	35	43	56	62	75	3.89	5.28	10.59	17.0	18.0
1 1/2	51	60	64	35	43	44	62	75	84	4.01	5.56	11.07	17.8	18.4
2	60	64	83	43	44	52	75	84	102	4.27	7.14	12.09	19.0	19.2
2 1/2	76	83	95	52	52	64	92	102	121	5.61	7.65	15.29	23.6	28.9
3	86	95	106	64	64	79	109	121	146	5.99	8.84	16.64	25.9	30.5
4	106	114	114	79	79	79	146	152	152	6.55	11.18	18.67	27.7	33.0

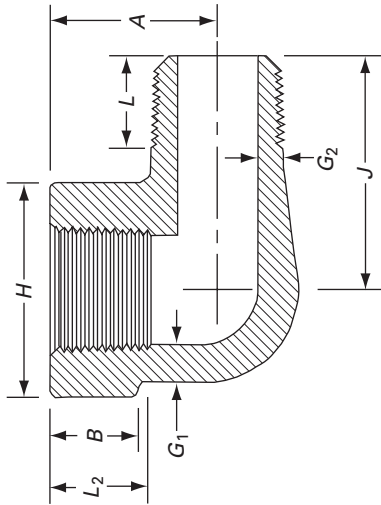
GENERAL NOTE: Dimensions are in millimeters.

NOTE:

- (1) Dimension B is minimum length of perfect thread. The length of useful thread (B plus threads with fully formed roots and flat crests) shall not be less than L<sub>2</sub> (effective length of external thread) required by American National Standard for Pipe Threads (ASME B1.20.1; see para. 6.3).



**Table 3 Forged Threaded Fittings — Street Elbows**



Nominal Pipe Size, NPS	Center-to-Female End Street Ells, A [Note (1)]		Center-to-Male End Street Ells, J		Outside Diameter of Band, H [Note (2)]				Minimum Wall Thickness, G <sub>1</sub>		Minimum Wall Thickness, G <sub>2</sub> [Note (3)]		Minimum Length Internal Thread [Note (4)]	Minimum Length Male Thread, L
	Class Designation		Class Designation		Class Designation		Class Designation		Class Designation		Class Designation			
	3000	6000	3000	6000	3000	6000	3000	6000	3000	6000	3000	6000	B	L <sub>2</sub>
1/8	19	22	25	32	19	25	3.18	5.08	2.74	4.22	6.4	6.7	10	
1/4	22	25	32	38	25	32	3.30	5.66	3.22	5.28	8.1	10.2	11	
3/8	25	28	38	41	32	38	3.51	6.98	3.50	5.59	9.1	10.4	13	
1/2	28	35	41	48	38	44	4.09	8.15	4.16	6.53	10.9	13.6	14	
3/4	35	44	48	57	44	51	4.32	8.53	4.88	6.86	12.7	13.9	16	
1	44	51	57	66	51	62	4.98	9.93	5.56	7.95	14.7	17.3	19	
1 1/4	51	54	66	71	62	70	5.28	10.59	5.56	8.48	17.0	18.0	21	
1 1/2	54	64	71	84	70	84	5.56	11.07	6.25	8.89	17.8	18.4	21	
2	64	83	84	105	84	102	7.14	12.09	7.64	9.70	19.0	19.2	22	

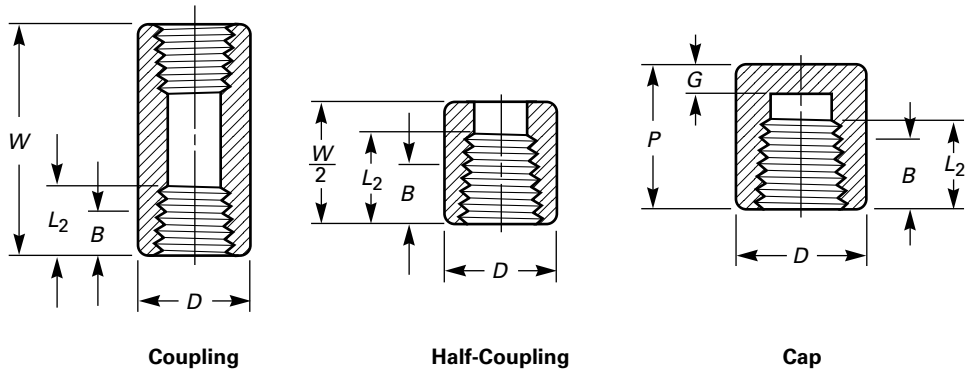
GENERAL NOTE: Dimensions are in millimeters.

NOTES:

- (1) Dimension A of Table 2 for the appropriate fitting size may also be used at the option of the manufacturer.
- (2) Dimension H of Table 2 for the appropriate fitting size may also be used at the option of the manufacturer.
- (3) Wall thickness before threading.
- (4) Dimension B is minimum length of perfect thread. The length of useful thread (B plus threads with fully formed roots and flat crests) shall not be less than L<sub>2</sub> (effective length of external thread) required by American National Standard for Pipe Threads (ASME B1.20.1; see para. 6.3).



**Table 4 Threaded Fittings**



Nominal Pipe Size	End-to-End Couplings, <i>W</i>	End-to-End Caps, <i>P</i>		Outside Diameter, <i>D</i>		Minimum End Wall Thickness, <i>G</i>		Minimum Length of Thread [Note (1)]	
	3000 and 6000	3000	6000	3000	6000	3000	6000	<i>B</i>	<i>L<sub>2</sub></i>
1/8	32	19	...	16	22	4.8	...	6.4	6.7
1/4	35	25	27	19	25	4.8	6.4	8.1	10.2
3/8	38	25	27	22	32	4.8	6.4	9.1	10.4
1/2	48	32	33	28	38	6.4	7.9	10.9	13.6
3/4	51	37	38	35	44	6.4	7.9	12.7	13.9
1	60	41	43	44	57	9.7	11.2	14.7	17.3
1 1/4	67	44	46	57	64	9.7	11.2	17.0	18.0
1 1/2	79	44	48	64	76	11.2	12.7	17.8	18.4
2	86	48	51	76	92	12.7	15.7	19.0	19.2
2 1/2	92	60	64	92	108	15.7	19.0	23.6	28.9
3	108	65	68	108	127	19.0	22.4	25.9	30.5
4	121	68	75	140	159	22.4	28.4	27.7	33.0

**GENERAL NOTES:**

- (a) Dimensions are in millimeters.
- (b) Class 2000 and NPS 1/8 Class 6000 couplings, half couplings, and caps are not included in this Standard.
- (c) The wall thickness away from the threaded ends shall meet the minimum wall thickness requirements of Table 2 for the appropriate NPS and Class Designation fitting.

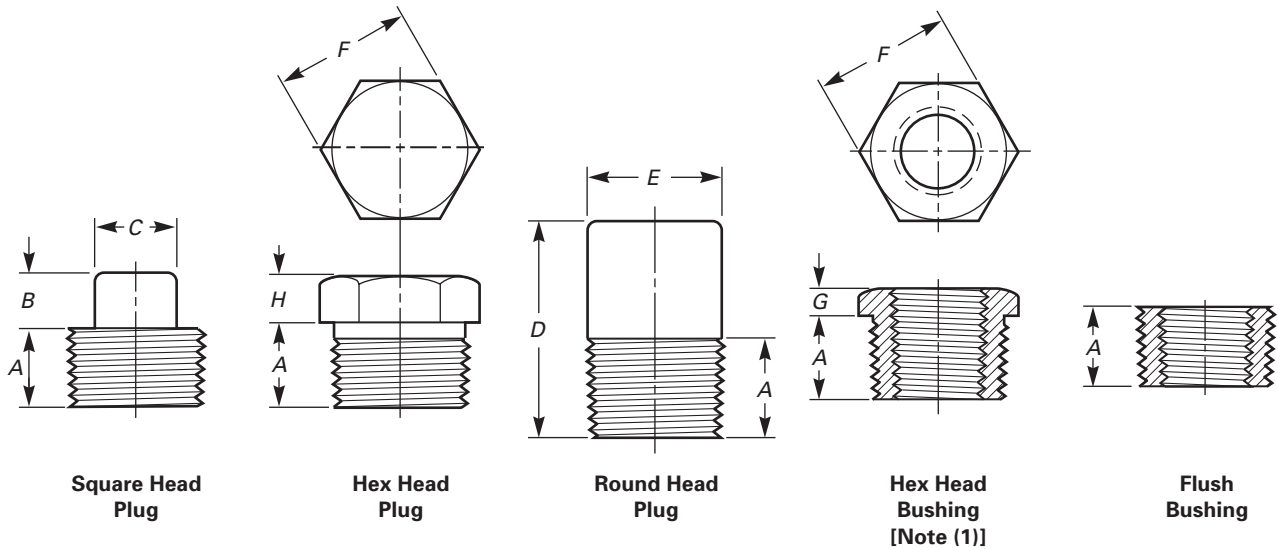
**NOTE:**

- (1) Dimension *B* is minimum length of perfect thread. The length of useful thread (*B* plus thread with fully formed roots and flat crests) shall not be less than *L<sub>2</sub>* (effective length of external thread) required by American National Standard for Pipe Threads (ASME B1.20.1; see para. 6.3).



(11)

**Table 5 Plugs and Bushings**



Nominal Pipe Size	Minimum Length, <i>A</i>	Square Head Plugs		Round Head Plugs		Hex Plugs and Bushings		
		Minimum Square Height, <i>B</i>	Minimum Width Flats, <i>C</i> [Note (2)]	Nominal Head Diameter, <i>E</i>	Minimum Length, <i>D</i>	Nominal Width Flats, <i>F</i> [Note (2)]	Minimum Hex Height Bushings, <i>G</i> Plug, <i>H</i>	
1/8	10	6	7.15	10	35	11.11	...	6
1/4	11	6	9.55	14	41	15.88	3	6
3/8	13	8	11.11	18	41	17.46	4	8
1/2	14	10	14.29	21	44	22.23	5	8
3/4	16	11	15.88	27	44	26.99	6	10
1	19	13	20.64	33	51	34.93	6	10
1 1/4	21	14	23.81	43	51	44.45	7	14
1 1/2	21	16	28.58	48	51	50.80	8	16
2	22	18	53.34	60	64	63.50	9	18
2 1/2	27	19	38.10	73	70	76.20	10	19
3	28	21	42.86	89	70	88.90	10	21
4	32	25	63.50	114	76	117.48	13	25

GENERAL NOTE: Dimensions are in millimeters.

NOTES:

- (1) *Cautionary Note Regarding Hex Bushings:* Hex head bushings of one-size reduction should not be used in services where they might be subject to harmful loads and forces other than internal pressures.
- (2) Manufacturer's applied tolerance shall ensure dimension will fit U.S. Customary tooling.





**Table 6 Types of Fittings by Class Designation and NPS Size Range**

Description	Socket-Welding			Threaded		
	Class Designation			Class Designation		
	3000	6000	9000	2000	3000	6000
45-deg, 90-deg elbows,	1/8-4	1/8-2	1/2-2	1/8-4	1/8-4	1/8-4
tees, crosses,	1/8-4	1/8-2	1/2-2	1/8-4	1/8-4	1/8-4
couplings, half-couplings,	1/8-4	1/8-2	1/2-2	...	1/8-4	1/8-4
and caps	1/8-4	1/8-2	1/2-2	...	1/8-4	1/4-4
Street elbows	...	...	...	...	1/8-2	1/8-2
Square, hex, round plug,	...	...	...	1/8-4 [Note (1)]	1/8-4 [Note (1)]	1/8-4 [Note (1)]
hex, and flush bushing	...	...	...	1/8-4 [Note (1)]	1/8-4 [Note (1)]	1/8-4 [Note (1)]

NOTE:

- (1) Plugs and bushings are not identified by class designation. They may be used for ratings up to Class 6000 designation.

ASME B36.10M Schedule No. or Wall Designation pipe wall thickness correlated with the fitting in Table 7 [see Note (1) in Table 7].

**2.1.2 Nonstandard Pipe Wall Thickness.** Since ASME B36.10M does not include Schedule 160 nor Double Extra Strong thickness for NPS 1/8, 1/4, and 3/8, the values in Table 8 shall be used as the nominal wall thicknesses of the pipe for rating purposes.

**2.1.3 Combination End Fittings.** The Class designation for fittings made with combinations of socket-welding and threaded ends shall be based on the end configuration that has the lowest rating from Table 7.

## 2.2 Pressure Test Capability

Pressure testing is not required by this Standard, but the fittings shall be capable of withstanding a hydrostatic test pressure required by the applicable piping code for seamless pipe of material equivalent to the fitting forging and of the schedule or wall thickness correlated with the fitting Class and end connection of Table 7.

## 3 SIZE AND TYPE

### 3.1 General

NPS, followed by a dimensionless number, is the designation for nominal fitting size. NPS is related to the reference nominal diameter, DN, used in international standards. The relationship is typically as follows:

NPS	DN
1/8	6
1/4	8
3/8	10
1/2	15
3/4	20
1	25
1 1/4	32
1 1/2	40
2	50
2 1/2	65
3	80
4	100

**Table 7 Correlation of Fittings Class With Schedule Number or Wall Designation of Pipe for Calculation of Ratings**

Class Designation of Fitting	Type of Fitting	Pipe Used for Rating Basis [Note (1)]	
		Schedule No.	Wall Designation
2000	Threaded	80	XS
3000	Threaded	160	...
6000	Threaded	...	XXS
3000	Socket-welding	80	XS
6000	Socket-welding	160	...
9000	Socket-welding	...	XXS

NOTE:

- (1) This Table is not intended to restrict the use of pipe of thinner or thicker wall with fittings. Pipe actually used may be thinner or thicker in nominal wall than that shown in Table 7. When thinner pipe is used, its strength may govern the rating. When thicker pipe is used (e.g., for mechanical strength), the strength of the fitting governs the rating.

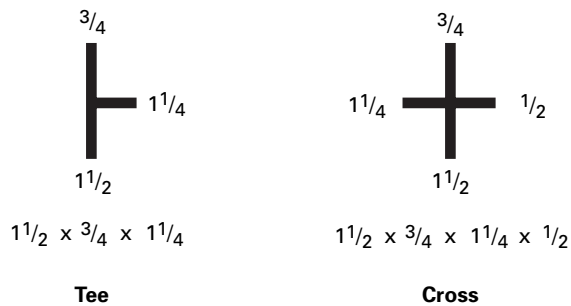
**Table 8 Nominal Wall Thickness of Schedule 160 and Double Extra Strong Pipe**

NPS	Schedule 160		XXS	
	mm	in.	mm	in.
1/8	3.15	0.124	4.83	0.190
1/4	3.68	0.145	6.05	0.238
3/8	4.01	0.158	6.40	0.252

### 3.2 Reducing Fitting Size

In the case of reducing tees and crosses, the size of the largest run opening shall be given first, followed by the size of the opening at the opposite end of the run. Where the fitting is a tee, the size of the branch is given last. Where the fitting is a cross, the largest side-outlet is the third dimension given, followed by the opening

**Fig. 1 Method of Designating Outlets of Reducing Tees and Crosses**



GENERAL NOTE: See para. 3.2.

opposite. The line sketches, Fig. 1, illustrate how the reducing fittings are read.

## 4 MARKING

### 4.1 General

Each fitting shall be permanently marked with the required identification by raised lettering and/or stamping, electro-etching, or vibro-tool marking on the collar portion, raised pad, or raised boss portion of the forging. Cylindrical fittings shall be marked on the O.D. or end of the fitting in a location such that the marking will not be obliterated as a result of welding installation. The marking of bushings and plugs is not required by this Standard.

**4.1.1 Specific Marking.** The marking shall include (but is not limited to) the following:

(a) *Manufacturer's Name or Trademark*

(b) *Material Identification.* Material shall be identified in accordance with the marking requirements of either the appropriate ASTM Fitting or ASTM Forging Specifications (see para. 5.1).

(c) *Product Conformance.* Fittings covered under para. 1.1.1 shall be marked with either the ASTM Fittings Specification material identification (e.g., "WP\_\_\_\_\_") or the symbol "B16" to denote conformance to this Standard. Fittings covered under para. 1.1.2 shall be marked with a supplementary suffix as follows:

(1) For ASTM A234, A403, A420, and A815, suffix the material grade with "S58" (see ASTM A960 Supplementary Requirement S58).

(2) For ASTM Fitting Specifications B366, suffix the material grade with "SPLD."

(3) For all ASTM Forging Specifications, suffix "B16" with "SPLD."

(d) *Class Designation.* 2000, 3000, 6000, or 9000, as applicable. Alternatively, the designation 2M, 3M, 6M, or 9M, as applicable, may be used where M stands for 1000.

(e) *Size.* The nominal pipe size related to the end connections.

**4.1.2 Omission of Markings.** Where size and shape of fittings do not permit all of the above markings, they may be omitted in the reverse order given above.

## 5 MATERIAL

### 5.1 Standard Materials

Fittings shall be made of materials consisting of forgings, bar, seamless pipe, or seamless tubular products. These materials shall conform to the requirements for the WP seamless construction materials of ASTM Fitting Specifications A234, A403, A420, A815, or B366 or ASTM Forging Specifications A105, A182, A350, B462, or B564. Tees, elbows, and crosses shall not be made from bar stock.

## 6 DIMENSIONS

### 6.1 General

Unless otherwise noted, the dimensions without tolerances for socket-welding fittings given in Tables 1 and I-1 and the dimensions without tolerances for threaded fittings given in Tables 2 through 5 and Tables I-2 through I-5 are nominal values and subject to the designated manufacturing tolerances.

### 6.2 Socket Fittings

**6.2.1 Body Wall Thickness.** The body wall thickness of socket-welding fittings shall be equal to or greater than the values, *G*, shown in Tables 1 and I-1.

**6.2.2 Socket Wall Thickness.** The socket wall average thickness and minimum thickness shall not be less than the corresponding values, *C*, shown in Tables 1 and I-1.

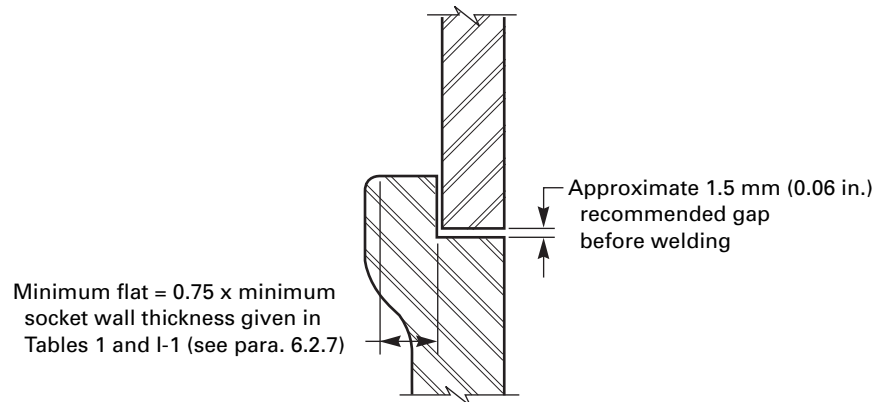
**6.2.3 Socket Position.** The fixed position for the bottom of the socket with reference to the centerline of the socket-welding fitting shall be maintained as required by the dimension, *A*, of Tables 1 and I-1. For reducing fittings, see para. 6.5.

**6.2.4 Socket Depth.** The socket depth shall not be less than the minimum values, *J*, shown in Tables 1 and I-1.

**6.2.5 Socket Bore.** The inside surface of the socket bore shall present a good workmanlike finish that is free of burrs.

**6.2.6 Perpendicularity.** The end flats of socket-welding fittings shall be at right angles to the socket axis.

**6.2.7 Width.** The forging radius shall not reduce the width of the flat welding surface to less than the value shown in Fig. 2.

**Fig. 2 Welding Gap and Minimum Flat Dimensions for Socket-Welding Fittings**

### 6.3 Threaded Fittings

**6.3.1 Wall Thickness.** The body or end wall thickness of threaded fittings shall be equal to or greater than the minimum values,  $G$ , as shown in Tables 2 through 4 or Tables I-2 through I-4.

**6.3.2 Internal Threading.** All fittings with internal threads shall be threaded with American National Standard Taper Pipe Threads (ASME B1.20.1). Variations in threading shall be limited to one turn large or one turn small from the gaging notch when using working gages. The reference point for gaging is the starting end of the fitting, provided the chamfer does not exceed the major diameter of the internal thread. When a chamfer on the internal thread exceeds this limit, the reference point becomes the last thread scratch on the chamfer cone.

(11) **6.3.3 External Threads.** All externally threaded fittings shall be threaded with American National Standard Taper Pipe Threads (ASME B1.20.1), and the variation in threading shall be limited to one turn large or one turn small from the gage face of ring when using working gages. The reference point for gaging is the end of the thread, provided the chamfer is not smaller than the minor diameter of the external thread. When a chamfer on the external thread exceeds this limit, the reference point becomes the last thread scratch on the chamfer cone.

**6.3.4 Countersink or Chamfer.** All internal threads shall be countersunk a distance not less than one-half the pitch of the thread at an angle of approximately 45 deg with the axis of the thread, and all external threads shall be chamfered at an angle of 30 deg to 45 deg from the axis, for easier entrance in making a joint and protection of the thread. Countersinking and chamfering shall be concentric with the threads. The

length of threads specified in all tables shall be measured to include the countersink or chamfer.

### 6.4 Collars

End collars of both socket-welding and threaded fittings shall be such that they overlap the crotch area as illustrated in the sketches in Tables 1, 2, I-1, and I-2.

### 6.5 Reducing Fittings

(11)

Reducing fittings, combination straight and reducing threaded  $\times$  threaded, threaded  $\times$  socket welding, and socket welding  $\times$  socket welding couplings shall have the same center-to-end, center-to-bottom of socket, band diameter, and outside diameters as the uniform size fitting corresponding to the largest size end connection of the reducing fitting.

## 7 ADDITIONAL TOLERANCES

These are additional tolerances to those listed in Tables 1 and I-1.

### 7.1 Concentricity of Bores

The socket and fitting bores shall be concentric within a tolerance of 0.8 mm (0.03 in.) for all sizes. Opposite socket bores shall be concentric within a tolerance of 1.5 mm (0.06 in.) for all sizes.

### 7.2 Coincidence of Axes

The maximum allowable variation in the alignment of the fitting bore and socket bore axes shall be 1 mm in 200 mm (0.06 in. in 1 ft). The maximum allowable variation in alignment of threads shall be 1 mm in 200 mm (0.06 in. in 1 ft).

## 8 PROOF TESTING

Proof testing for fittings made to this Standard is not required.

INTENTIONALLY LEFT BLANK



# **MANDATORY APPENDIX I**

## **DIMENSIONS OF FITTINGS IN U.S. CUSTOMARY UNITS**

This Mandatory Appendix provides tables for standard inch dimensions of fittings.



Table I-1 Socket-Welding Fittings

Nominal Pipe Size [Note (1)]	Bore Diameter of Fittings, D [Note (J)]		Socket Wall Thickness, C [Note (2)]			Body Wall, G		Center-to-Bottom of Socket, A				Laying Lengths		End Wall Thickness, $K_{min}$														
	Class Designation		Class Designation			Class Designation		90-deg Elbows, Tees, and Crosses				Half Couplings, Couplings,		Class Designation														
	3000	6000	3000	6000	9000	3000	6000	9000	3000	6000	9000	3000	6000	9000	3000	6000	9000											
1/8	0.440	0.299	0.189	...	0.125	0.125	0.156	0.135	...	0.095	0.124	...	0.38	0.44	0.44	...	0.31	0.31	...	0.25	0.62	0.03	0.06	0.03	0.19	0.25	...	
1/4	0.420	0.239	0.126	...	0.149	0.130	0.181	0.158	...	0.119	0.145	...	0.38	0.44	0.53	...	0.31	0.31	...	0.25	0.62	0.03	0.06	0.03	0.19	0.25	...	
3/8	0.555	0.334	0.220	...	0.158	0.138	0.198	0.172	...	0.126	0.158	...	0.38	0.53	0.62	...	0.31	0.44	...	0.25	0.69	0.06	0.12	0.06	0.19	0.25	...	
1/2	0.690	0.463	0.329	...	0.184	0.161	0.235	0.204	0.368	0.322	0.147	0.188	0.294	0.38	0.62	0.75	1.00	0.44	0.50	0.62	0.38	0.88	0.06	0.12	0.06	0.25	0.31	0.44
3/4	1.085	0.854	0.642	0.464	0.193	0.168	0.274	0.238	0.385	0.337	0.154	0.219	0.308	0.50	0.75	0.88	1.12	0.50	0.56	0.75	0.38	0.94	0.06	0.12	0.06	0.25	0.31	0.50
1	1.350	1.079	0.845	0.629	0.224	0.196	0.312	0.273	0.448	0.392	0.179	0.250	0.358	0.50	0.88	1.06	1.25	0.56	0.69	0.81	0.50	1.12	0.08	0.16	0.08	0.38	0.44	0.56
1 1/4	1.695	1.410	1.190	0.926	0.239	0.208	0.312	0.273	0.478	0.418	0.191	0.250	0.382	0.50	1.06	1.25	1.38	0.69	0.81	0.88	0.50	1.19	0.08	0.16	0.08	0.38	0.44	0.56
1 1/2	1.935	1.640	1.368	1.130	0.250	0.218	0.351	0.307	0.500	0.438	0.200	0.281	0.400	0.50	1.25	1.50	1.50	0.81	1.00	1.00	0.50	1.25	0.08	0.16	0.08	0.44	0.50	0.62
2	2.426	2.097	1.717	1.533	0.273	0.238	0.430	0.374	0.545	0.477	0.218	0.344	0.436	0.62	1.50	1.62	2.12	1.00	1.12	1.12	0.75	1.62	0.08	0.16	0.08	0.50	0.62	0.75
2 1/2	2.931	2.529	...	...	...	0.345	0.302	...	...	0.276	...	...	0.62	1.62	...	...	1.12	...	...	...	0.75	1.69	0.10	0.20	0.10	0.62	0.75	...
3	3.560	3.128	...	...	...	0.375	0.327	...	...	0.300	...	...	0.62	2.25	...	...	1.25	...	...	...	0.75	1.75	0.10	0.20	0.10	0.75	0.88	...
4	4.570	4.086	...	...	...	0.421	0.368	...	...	0.337	...	...	0.75	2.62	...	...	1.62	...	...	...	0.75	1.88	0.10	0.20	0.10	0.88	1.12	...

GENERAL NOTE: Dimensions are in inches.

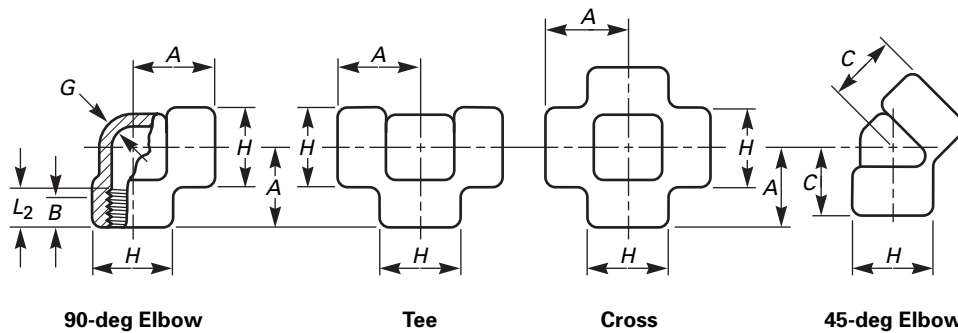
NOTES:

(1) Upper and lower values for each size are the respective maximum and minimum dimensions.

(2) Average of socket wall thickness around periphery shall not be less than listed values. The minimum values are permitted in localized areas.



**Table I-2 Forged Threaded Fittings**



Nominal Pipe Size	Center-to-End Elbows, Tees, and Crosses, A			Center-to-End 45-deg Elbow, C			Outside Diameter of Band, H			Minimum Wall Thickness, G			Minimum Length of Thread [Note (1)]	
	2000	3000	6000	2000	3000	6000	2000	3000	6000	2000	3000	6000	B	L <sub>2</sub>
1/8	0.81	0.81	0.97	0.69	0.69	0.75	0.88	0.88	1.00	0.125	0.125	0.250	0.25	0.2639
1/4	0.81	0.97	1.12	0.69	0.75	0.88	0.88	1.00	1.31	0.125	0.130	0.260	0.32	0.4018
3/8	0.97	1.12	1.31	0.75	0.88	1.00	1.00	1.31	1.50	0.125	0.138	0.275	0.36	0.4078
1/2	1.12	1.31	1.50	0.88	1.00	1.12	1.31	1.50	1.81	0.125	0.161	0.321	0.43	0.5337
3/4	1.31	1.50	1.75	1.00	1.12	1.31	1.50	1.81	2.19	0.125	0.170	0.336	0.50	0.5457
1	1.50	1.75	2.00	1.12	1.31	1.38	1.81	2.19	2.44	0.145	0.196	0.391	0.58	0.6828
1 1/4	1.75	2.00	2.38	1.31	1.38	1.69	2.19	2.44	2.97	0.153	0.208	0.417	0.67	0.7068
1 1/2	2.00	2.38	2.50	1.38	1.69	1.72	2.44	2.97	3.31	0.158	0.219	0.436	0.70	0.7235
2	2.38	2.50	3.25	1.69	1.72	2.06	2.97	3.31	4.00	0.168	0.281	0.476	0.75	0.7565
2 1/2	3.00	3.25	3.75	2.06	2.06	2.50	3.62	4.00	4.75	0.221	0.301	0.602	0.93	1.1380
3	3.38	3.75	4.19	2.50	2.50	3.12	4.31	4.75	5.75	0.236	0.348	0.655	1.02	1.2000
4	4.19	4.50	4.50	3.12	3.12	3.12	5.75	6.00	6.00	0.258	0.440	0.735	1.09	1.3000

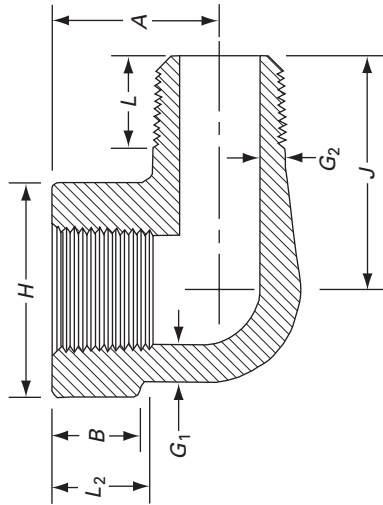
GENERAL NOTE: Dimensions are in inches.

NOTE:

- (1) Dimension B is minimum length of perfect thread. The length of useful thread (B plus threads with fully formed roots and flat crests) shall not be less than L<sub>2</sub> (effective length of external thread) required by American National Standard for Pipe Threads (ASME B1.20.1; see para. 6.3).



Table I-3 Forged Threaded Fittings — Street Elbows



Nominal Pipe Size, NPS	Center-to-Female End Street Ells, A [Note (1)]		Center-to-Male End Street Ells, J		Outside Diameter of Band, H [Note (2)]		Minimum Wall Thickness, G <sub>1</sub>		Minimum Wall Thickness, G <sub>2</sub> [Note (3)]		Minimum Length Internal Thread [Note (4)]		Minimum Length Male Thread, L
	Class Designation		Class Designation		Class Designation		Class Designation		Class Designation		B		
	3000	6000	3000	6000	3000	6000	3000	6000	3000	6000	L <sub>2</sub>	L	
1/8	0.75	0.88	1.00	1.25	0.75	1.00	0.125	0.200	0.108	0.166	0.25	0.2639	0.38
1/4	0.88	1.00	1.25	1.50	1.00	1.25	0.130	0.223	0.127	0.208	0.32	0.4018	0.44
3/8	1.00	1.12	1.50	1.62	1.25	1.50	0.138	0.275	0.138	0.220	0.36	0.4078	0.50
1/2	1.12	1.38	1.62	1.88	1.50	1.75	0.161	0.321	0.164	0.257	0.43	0.5337	0.56
3/4	1.38	1.75	1.88	2.25	1.75	2.00	0.170	0.336	0.192	0.270	0.50	0.5457	0.62
1	1.75	2.00	2.25	2.62	2.00	2.44	0.196	0.391	0.219	0.313	0.58	0.6828	0.75
1 1/4	2.00	2.12	2.62	2.81	2.44	2.75	0.208	0.417	0.219	0.334	0.67	0.7068	0.81
1 1/2	2.12	2.50	2.81	3.31	2.75	3.31	0.219	0.436	0.246	0.350	0.70	0.7235	0.81
2	2.50	3.25	3.31	4.13	3.31	4.00	0.281	0.476	0.301	0.382	0.75	0.7565	0.88

GENERAL NOTE: Dimensions are in inches.

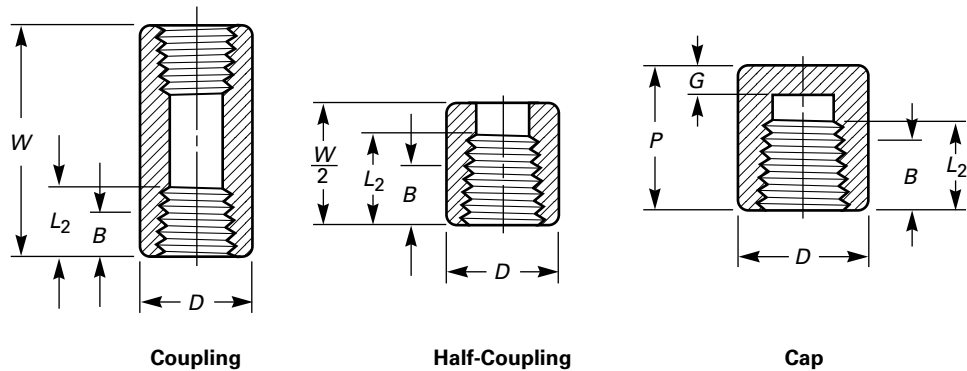
NOTES:

- (1) Dimension A of Table I-2 for the appropriate fitting size may also be used at the option of the manufacturer.
- (2) Dimension H of Table I-2 for the appropriate fitting size may also be used at the option of the manufacturer.
- (3) Wall thickness before threading.
- (4) Dimension B is minimum length of perfect thread. The length of useful thread (B plus threads with fully formed roots and flat crests) shall not be less than L<sub>2</sub> (effective length of external thread) required by American National Standard for Pipe Threads (ASME B1.20.1; see para. 6.3).





Table I-4 Threaded Fittings



Nominal Pipe Size	End-to-End Couplings, $W$		End-to-End Caps, $P$		Outside Diameter, $D$		Minimum End Wall Thickness, $G$		Minimum Length of Thread [Note (1)]	
	3000 and 6000	3000	6000	3000	6000	3000	6000	$B$	$L_2$	
$1/8$	1.25	0.75	...	0.62	0.88	0.19	...	0.25	0.2639	
$1/4$	1.38	1.00	1.06	0.75	1.00	0.19	0.25	0.32	0.4018	
$3/8$	1.50	1.00	1.06	0.88	1.25	0.19	0.25	0.36	0.4078	
$1/2$	1.88	1.25	1.31	1.12	1.50	0.25	0.31	0.43	0.5337	
$3/4$	2.00	1.44	1.50	1.38	1.75	0.25	0.31	0.50	0.5457	
1	2.38	1.62	1.69	1.75	2.25	0.38	0.44	0.58	0.6828	
$1 1/4$	2.62	1.75	1.81	2.25	2.50	0.38	0.44	0.67	0.7068	
$1 1/2$	3.12	1.75	1.88	2.50	3.00	0.44	0.50	0.70	0.7235	
2	3.38	1.88	2.00	3.00	3.62	0.50	0.62	0.75	0.7565	
$2 1/2$	3.62	2.38	2.50	3.62	4.25	0.62	0.75	0.93	1.1380	
3	4.25	2.56	2.69	4.25	5.00	0.75	0.88	1.02	1.2000	
4	4.75	2.69	2.94	5.50	6.25	0.88	1.12	1.09	1.3000	

## GENERAL NOTES:

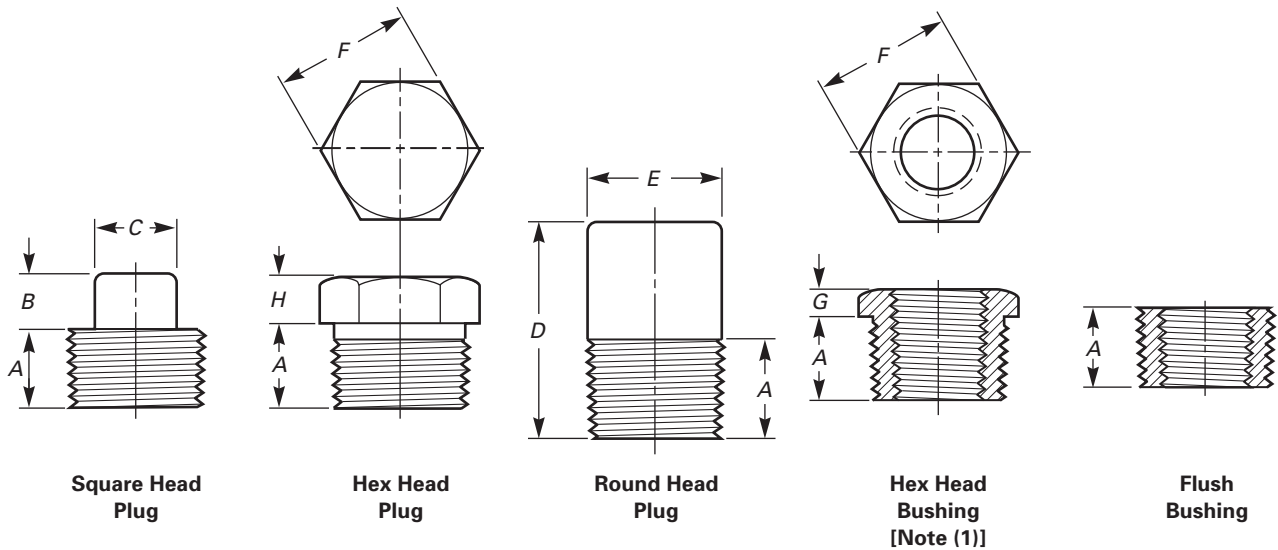
- Dimensions are in inches.
- Class 2000 and NPS  $1/8$  Class 6000 couplings, half couplings, and caps are not included in this Standard.
- The wall thickness away from the threaded ends shall meet the minimum wall thickness requirements of Table I-2 for the appropriate NPS and Class Designation fitting.

## NOTE:

- Dimension  $B$  is minimum length of perfect thread. The length of useful thread ( $B$  plus threads with fully formed roots and flat crests) shall be no less than  $L_2$  (effective length of external thread) required by American National Standard for Pipe Threads (ASME B1.20.1; see para. 6.3).

(11)

**Table I-5 Plugs and Bushings**



Nominal Pipe Size	Square Head Plugs			Round Head Plugs		Hex Plugs and Bushings		
	Minimum Length, <i>A</i>	Minimum Square Height, <i>B</i>	Minimum Width Flats, <i>C</i> [Note (2)]	Nominal Head Diameter, <i>E</i>	Minimum Length, <i>D</i>	Nominal Width Flats, <i>F</i> [Note (2)]	Minimum Hex Height Bushing, <i>G</i>	Plug, <i>H</i>
1/8	0.38	0.25	0.28	0.41	1.38	0.44	...	0.25
1/4	0.44	0.25	0.38	0.53	1.62	0.62	0.12	0.25
3/8	0.50	0.31	0.44	0.69	1.62	0.69	0.16	0.31
1/2	0.56	0.38	0.56	0.84	1.75	0.88	0.19	0.31
3/4	0.62	0.44	0.62	1.06	1.75	1.06	0.22	0.38
1	0.75	0.50	0.81	1.31	2.00	1.38	0.25	0.38
1 1/4	0.81	0.56	0.94	1.69	2.00	1.75	0.28	0.56
1 1/2	0.81	0.62	1.12	1.91	2.00	2.00	0.31	0.62
2	0.88	0.69	1.31	2.38	2.50	2.50	0.34	0.69
2 1/2	1.06	0.75	1.50	2.88	2.75	3.00	0.38	0.75
3	1.12	0.81	1.69	3.50	2.75	3.50	0.41	0.81
4	1.25	1.00	2.50	4.50	3.00	4.62	0.50	1.00

GENERAL NOTE: Dimensions are in inches.

NOTE:

- (1) *Cautionary Note Regarding Hex Bushings:* Hex head bushings of one-size reduction should not be used in services where they might be subject to harmful loads and forces other than internal pressures.
- (2) Manufacturer's applied tolerance shall ensure dimension will fit U.S. Customary tooling.



## MANDATORY APPENDIX II REFERENCES

The following is a list of publications referenced in this Standard.

ASME B1.20.1, Pipe Threads, General Purpose (Inch)

ASME B16.34, Valves — Flanged, Threaded, and Welding End

ASME B36.10M, Welded and Seamless Wrought Steel Pipe

Publisher: The American Society of Mechanical Engineers (ASME), Three Park Avenue, New York, NY 10016-5990; Order Department: 22 Law Drive, P.O. Box 2900, Fairfield, NJ 07007-2900 ([www.asme.org](http://www.asme.org))

ASTM A105/A105M-05, Specification for Carbon Steel Forgings for Piping Components

ASTM A182/A182M-08, Specification for Forged or Rolled Alloy and Stainless Steel Pipe Flanges, Forged Fittings, and Valves and Parts for High-Temperature Service

ASTM A234/A234M-07, Specification for Piping Fittings of Wrought Carbon Steel and Alloy Steel for Moderate and High Temperature Service

ASTM A350/A350M-07, Specification for Carbon and Low-Alloy Steel Forgings, Requiring Notch Toughness Testing for Piping Components

ASTM A403/A403M-07a, Specification for Wrought Austenitic Stainless Steel Piping Fittings

ASTM A420/A420M-03, Specification for Piping Fittings of Wrought Carbon Steel and Alloy Steel for Low-Temperature Service

ASTM A815/A815M-08, Specification for Wrought Ferritic, Ferritic/Austenitic, and Martensitic Stainless Steel Piping Fittings

ASTM A960/A960M-07, Specification for Common Requirements for Wrought Steel Piping Fittings

ASTM B366-04b<sup>e1</sup>, Specification for Factory-Made Wrought Nickel and Nickel Alloy Fittings

ASTM B462-06, Specification for Forged or Rolled UNS N06030, N06022, N06035, N06200, N06059, N06686, N08020, N08024, N08026, N08367, N10276, N10665, N10675, N10629, N08031, N06045, N06025, and R20033 Alloy Pipe Flanges, Forged Fittings, and Valves and Parts for Corrosive High-Temperature Service

ASTM B564-06a, Specification for Nickel Alloy Forgings  
Publisher: American Society for Testing and Materials (ASTM International), 100 Barr Harbor Drive, P.O. Box C700, West Conshohocken, PA 19428-2959 ([www.astm.org](http://www.astm.org))

ISO 9000:2005, Quality management systems — Fundamentals and vocabulary<sup>1</sup>

ISO 9001:2008, Quality management systems — Requirements<sup>1</sup>

ISO 9004:2009, Managing for the sustained success of an organization — A quality management approach<sup>1</sup>

Publisher: International Organization for Standardization (ISO), Central Secretariat, 1, ch. de la Voie-Creuse, Case postale 56, CH-1211, Genève 20, Switzerland/Suisse ([www.iso.org](http://www.iso.org))

<sup>1</sup> May also be obtained from the American National Standards Institute (ANSI), 25 West 43rd Street, New York, NY 10036.

## NONMANDATORY APPENDIX A QUALITY SYSTEM PROGRAM

The products manufactured in accordance with this Standard shall be produced under a quality system program following the principles of an appropriate standard from the ISO 9000 series.<sup>1</sup> A determination of the need for registration and/or certification of the product

---

<sup>1</sup> The series is also available from the American National Standards Institute (ANSI) and the American Society for Quality (ASQ) as American National Standards that are identified by the prefix "Q" replacing the prefix "ISO." Each standard of the series is listed under References in Mandatory Appendix II.

manufacturer's quality system program by an independent organization shall be the responsibility of the manufacturer. The detailed documentation demonstrating program compliance shall be available to the purchaser at the manufacturer's facility. A written summary description of the program utilized by the product manufacturer shall be available to the purchaser upon request. The product manufacturer is defined as the entity whose name or trademark appears on the product in accordance with the marking or identification requirements of this Standard.

## B16 AMERICAN NATIONAL STANDARDS FOR PIPING, PIPE FLANGES, FITTINGS, AND VALVES

Gray Iron Pipe Flanges and Flanged Fittings (Classes 25, 125, and 250) .....	B16.1-2010
Malleable Iron Threaded Fittings: Classes 150 and 300 .....	B16.3-2011
Gray Iron Threaded Fittings: Classes 125 and 250 .....	B16.4-2011
Pipe Flanges and Flanged Fittings NPS 1/2 Through NPS 24 Metric/Inch Standard .....	B16.5-2009
Factory-Made Wrought Butt welding Fittings .....	B16.9-2007
Face-to-Face and End-to-End Dimensions of Valves .....	B16.10-2009
Forged Fittings, Socket-Welding and Threaded .....	B16.11-2011
Cast Iron Threaded Drainage Fittings .....	B16.12-2009
Ferrous Pipe Plugs, Bushings, and Locknuts with Pipe Threads .....	B16.14-2010(R1991)
Cast Copper Alloy Threaded Fittings .....	B16.15-2011
Cast Copper Alloy Solder Joint Pressure Fittings .....	B16.18-2001 (R2005)
Metallic Gaskets for Pipe Flanges: Ring-Joint, Spiral-Wound, and Jacketed .....	B16.20-2007
Nonmetallic Flat Gaskets for Pipe Flanges .....	B16.21-2005
Wrought Copper and Copper Alloy Solder Joint Pressure Fittings .....	B16.22-2001 (R2010)
Cast Copper Alloy Solder Joint Drainage Fittings: DWV .....	B16.23-2011
Cast Copper Alloy Pipe Flanges and Flanged Fittings: Classes 150, 300, 600, 900, 1500, and 2500 .....	B16.24-2011
Butt welding Ends .....	B16.25-2007
Cast Copper Alloy Fittings for Flared Copper Tubes .....	B16.26-2011
Wrought Copper and Wrought Copper Alloy Solder Joint Drainage Fittings — DWV .....	B16.29-2007
Manually Operated Metallic Gas Valves for Use in Gas Piping Systems Up to 125 psi (Sizes NPS 1/2 Through NPS 2) .....	B16.33-2002 (R2007)
Valves — Flanged, Threaded, and Welding End .....	B16.34-2004
Orifice Flanges .....	B16.36-2009
Large Metallic Valves for Gas Distribution Manually Operated, NPS 2 1/2 (DN 65) to NPS 12 (DN 300), 125 psig (8.6 bar) Maximum .....	B16.38-2007
Malleable Iron Threaded Pipe Unions: Classes 150, 250, and 300 .....	B16.39-2009
Manually Operated Thermoplastic Gas Shutoffs and Valves in Gas Distribution Systems .....	B16.40-2008
Ductile Iron Pipe Flanges and Flanged Fittings: Classes 150 and 300 .....	B16.42-2011
Manually Operated Metallic Gas Valves for Use in Aboveground Piping Systems Up to 5 psi .....	B16.44-2002 (R2007)
Cast Iron Fittings for Sovent® Drainage Systems .....	B16.45-1998 (R2006)
Large Diameter Steel Flanges NPS 26 Through NPS 60 Metric/Inch Standard .....	B16.47-2011
Line Blanks .....	B16.48-2010
Factory-Made Wrought Steel Butt welding Induction Bends for Transportation and Distribution Systems .....	B16.49-2007
Wrought Copper and Copper Alloy Braze-Joint Pressure Fittings .....	B16.50-2001 (R2008)
Copper and Copper Alloy Press-Connect Pressure Fittings .....	B16.51-2011

The ASME Publications Catalog shows a complete list of all the Standards published by the Society. For a complimentary catalog, or the latest information about our publications, call 1-800-THE-ASME (1-800-843-2763).



## ASME Services

ASME is committed to developing and delivering technical information. At ASME's Information Central, we make every effort to answer your questions and expedite your orders. Our representatives are ready to assist you in the following areas:

ASME Press  
*Codes & Standards*  
Credit Card Orders  
IMEchE Publications  
Meetings & Conferences  
Member Dues Status

Member Services & Benefits  
Other ASME Programs  
Payment Inquiries  
Professional Development  
Short Courses  
Publications

Public Information  
Self-Study Courses  
Shipping Information  
Subscriptions/Journals/Magazines  
Symposia Volumes  
Technical Papers

### How can you reach us? It's easier than ever!

There are four options for making inquiries\* or placing orders. Simply mail, phone, fax, or E-mail us and an Information Central representative will handle your request.

*Mail*  
**ASME**  
22 Law Drive, Box 2900  
Fairfield, New Jersey  
07007-2900

*Call Toll Free*  
**US & Canada:** 800-THE-ASME  
(800-843-2763)  
**Mexico:** 95-800-THE-ASME  
(95-800-843-2763)  
**Universal:** 973-882-1167

*Fax—24 hours*  
973-882-1717  
973-882-5155

*E-Mail—24 hours*  
Infocentral@asme.org

\* Information Central staff are not permitted to answer inquiries about the technical content of this code or standard. Information as to whether or not technical inquiries are issued to this code or standard is shown on the copyright page. All technical inquiries must be submitted in writing to the staff secretary. Additional procedures for inquiries may be listed within.



INTENTIONALLY LEFT BLANK



Copyright © 2012 by the American Society of Mechanical Engineers.  
No reproduction may be made of this material without written consent of ASME.



# ASME B16.11-2011

ASME B16.11-2011

ISBN 978-0-7918-3401-5



9 780791 834015



M01611